

TURBINE FLOW METER - TR-QS SERIES



TECHNICAL SPECIFICATIONS

Measuring Accuracy
± 1.0% of reading or better

Repeatability
± 0.1%

Flow Measuring Range
.05 to 5,000 GPM (gal/min)
(per flange rating of install kit)

Maximum Operating Pressure
Refer to ASME/ANSI B16.5-1996

Maximum Operating Temperature
Fluid temperature of -150° to 300°F

End Connections
Wafer-style ASME/ANSI B16.5-1996
• Threaded, Flange, Galoc & Victaulic

**Actual pressure rating depends on installation connection.*

MATERIALS OF CONSTRUCTION

Body & Rotor Support	316 Stainless Steel
Bearings	Tungsten Carbide
Rotor	Stainless Steel
Rotor Shaft	Tungsten Carbide

BENEFITS

Accurate & Reaptable

The TR Series turbine meter is accurate to ±1% of reading with repeatability of better than ±0.1%.

Smart & Simple Design

Unique design eliminates the need for mating flanges, resulting in lower costs and simplifying installation.

Space-Saver

Wafer-style mounting configurations for limited space requirements.

High Performance

This flow meter is made from superior materials of construction for high performance in aggressive environments.

Improved Accuracy

The modified upstream and downstream flow straighteners allow for a higher accuracy and greater fluid dynamics.

INSTALLATION KITS

Each kit includes studs, nuts, gaskets and spacer rings.

Size	150#	300#	600#	900#	1500#
1"	TR-1110QS-150	TR-1110QS-300	TR-1110QS-600	TR-1110QS-900	call factory
2"	TR-1120QS-150	TR-1120QS-300	TR-1120QS-600	TR-1120QS-900	call factory
3"	TR-1130QS-150	TR-1130QS-300	TR-1130QS-600	TR-1130QS-900	call factory
4"	TR-1140QS-150	TR-1140QS-300	TR-1140QS-600	TR-1140QS-900	call factory
6"	TR-1160QS-150	TR-1160QS-300	TR-1160QS-600	TR-1160QS-900	call factory
8"	TR-1180QS-150	TR-1180QS-300	TR-1180QS-600	TR-1180QS-900	call factory
10"	TR-1190QS-150	TR-1190QS-300	TR-1190QS-600	TR-1190QS-900	call factory

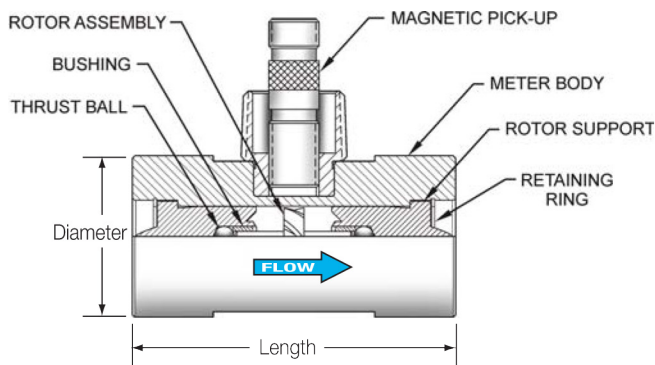
TURBINE FLOW METER - TR-QS SERIES

METER SPECIFICATIONS

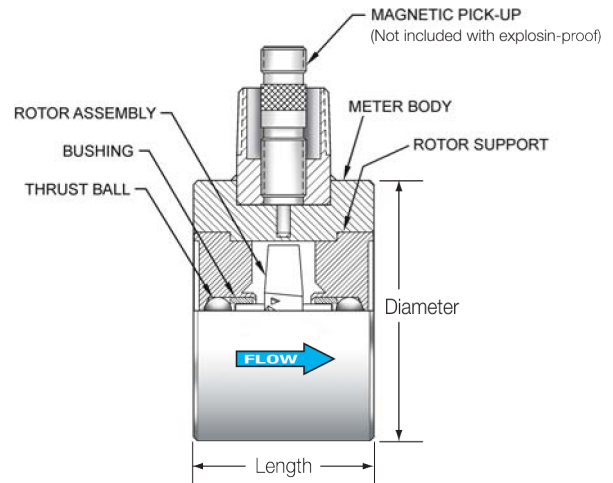
Part Number	Range (gal/min)	K-Factor * (Pulses/ gal)	Bore Size x Line Size	Filtration (micron)	Dimensions Diam x Lngth	Repair Kit ** Part Number
TR-1110QS	5 - 50	870	1" x 1"	250	2" x 4"	TR-112QS
TR-1120QS	40 - 400	52	2" x 2"	840	3.62" x 2.5"	TR-220QS
TR-1130QS	60 - 600	57	3" x 3"	2000	5" x 4.25"	TR-330QS
TR-1140QS	100 - 1200	29	4" x 4"	2000	6.18" x 5"	TR-440QS
TR-1160QS	200 - 2500	7	6" x 6"	4500	8.5" x 5.75"	TR-660QS
TR-1180QS	350 - 3500	3	8" x 8"	4500	10.62" x 6.25"	TR-880QS
TR-1190QS	500 - 5000	1.6	10" x 10"	4500	12.75" x 6.75"	TR-990QS

*K-Factors given are averaged. A calibration sheet accompanies every meter sold. **This is a direct replacement for the TRG-11.875 and has a doubled K-Factor.

Model TR1110QS only



Model TR1120QS through TR1190QS



MJ Systems, LLC
 Authorized AW Lake Representatives
 502 N 8th St • La Porte, TX 77571
 Off (281) 842-7600 • Fax (281) 842-7601
 www.mjsusa.com • sales@mjsusa.com

