

# RT-10 BATTERY-POWERED LOCAL FLOW RATE TRANSMITTER

Ideal for any industry or flow measurement application where a local rate and total display is required and in locations where equipment is exposed to the elements.



## FEATURES

- Gate time function
- Real-time clock display
- Sleep mode conserves battery power
- 4-20mA loop power output
- "Sleep" and "Lo Battery" indicators
- Easy programming using Up, Down and Enter functions
- Fiber Optic input and output options

## APPLICATIONS

The RT-10 from AW Gear Meters includes a large, six-digit LCD display that continuously shows either the flow rate or total. Adjust rate, total, reset, sleep mode, or time using buttons when the protective blue cover is open, or with a magnet wand when the cover is closed. The unit's battery lasts as long as four years and is replaceable on-site. This monitor is compatible with most meters available from AW Gear Meters, including the JV and HPM series positive displacement flow meters.

*Note: Unit is not compatible with JVHS, JV-01, JV-10, or JV-12 flow meters.*

## TECHNICAL SPECIFICATIONS

### Flow Meter Compatibility

JV and HPM series positive displacement gear meters

### Power

Internal 3.6V "C" cell battery, field replaceable; 4 year battery power estimated average life, depending on options enabled.

### Sensor/Monitor Frequency Range

3,000 Hz max.

### Temperature Rating

-20 to 60°C (-4 to 140°F) ambient, 80°C (175°F) maximum fluid temperature

### Output Options

4-20 mA, loop powered

### Input Options

Standard sensor or fiber optic

### Rating (Enclosure only)

NEMA 4X

## BENEFITS

### Options for Remote Indication

The RT-10 is available in a variety of models (see back).

### Extended Battery Life

To preserve the lithium battery, the device reverts to sleep mode after a user-specified period of time.

### Up & Running in Minutes

Simply attach your sensor to the RT-10, install sensor & flow monitor onto meter, power-up and input calibrations.

### Customizable Engineering Units

The unit displays Total and Rate values in user-specified engineering units, such as cc's, ounces or gallons.



MJ Systems, LLC

Authorized AW Lake Representatives

502 N 8th St • La Porte, TX 77571

Off (281) 842-7600 • Fax (281) 842-7601

www.mjsusa.com • sales@mjsusa.com



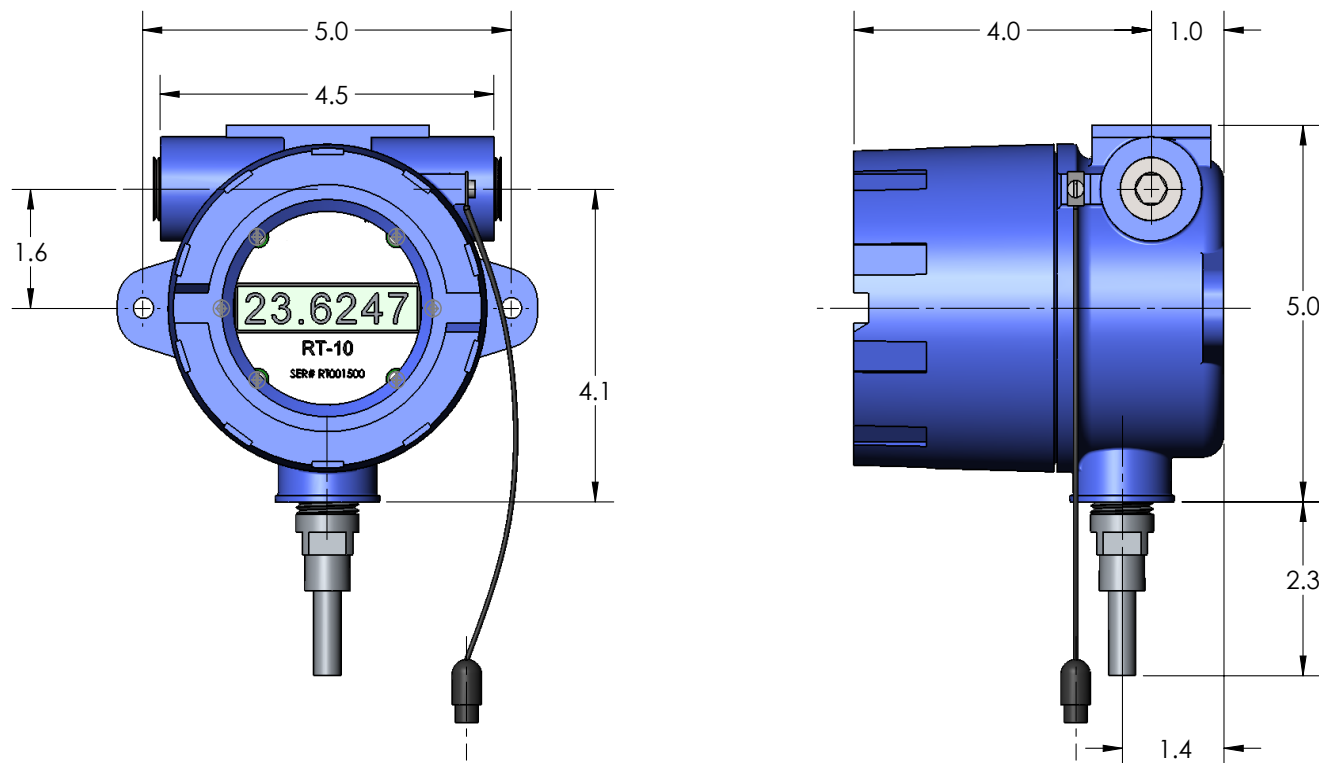
AW GEAR METERS

2440 W Corporate Preserve Dr #600, Oak Creek, WI 53154 | www.aw-lake.com

# RT-10 BATTERY-POWERED LOCAL FLOW RATE TRANSMITTER

Ideal for any industry or flow measurement application where a local rate and total display is required and in locations where equipment is exposed to the elements.

## TRANSMITTER DIMENSIONS



## TRANSMITTER OPTIONS

Part #	Standard Nose	Fiber Optic Input*	Hub Nose	TR Nose	Battery Power	4-20mA Loop	Fiber Optic Output**
RT-10A	X				X		
RT-10C	X				X	X	
RT-10H	X				X		X
RT-10D		X			X		
RT-10F		X			X	X	
RT-10L		X			X		X
RT-10J			X		X		
RT-10N			X		X	X	
RT-10P			X		X		X
RT-10R				X	X		
RT-10T				X	X	X	
RT-10U				X	X		X

\* All fiber optic input RT-10's require the FOP pickup.

\*\* All fiber optic output RT-10's require the OPTV converter.

Products may be subject to change without notice - Contact factory for the most up-to-date product information.