

HUB-4xEX - HAZARDOUS AREA RATED FLOW SENSOR

Ideal for any industry or flow measurement application where an explosion-proof sensor is required, such as in chemical injection, hydraulic fracturing, or industrial paint spray booths.



BENEFITS

Up and Running in Minutes

Easy thread-in installation. A quick setup procedure allows you to have the sensor working with just a few simple installation steps.

Flexible Mounting

Because of the integral swivel union, the HUB-4x-EX unit can be rotated 360° for easy wiring. Options available to fit any AW Gear Meter or Turbine Meter.

Weather-Proof Enclosure

NEMA 4X enclosure provides environmental protection from moisture and debris.

Built-In Protection

The signal outputs are protected by a self-resetting fuse with a 50 mA nominal trip point.

FEATURES

- Choose from Hazardous area certification options including: cCSAus, IECEx or ATEX
- Square wave output signal has a duty cycle of approximately 50%.
- For use with most meter sizes of the following AW-Lake flow meters:
 - JVM-xxx-EX gear meters
 - JVS-xxx-EX gear meters
 - JVHS-xxx-EX gear meters
 - ZHM-xxx-EX gear meters
 - HPM-xxx-EX turbine meters
 - HM-xxx-AC-EX turbine meters
 - TRG-xxx-EX turbine meters



TECHNICAL SPECIFICATIONS

Supply Voltage

10-24 VDC

Supply Current

- 8 mA @ 12 VDC
- 12 mA @ 24 VDC
- 65 mA Maximum

Sensor/Monitor Frequency Output

Flow dependent, 0.5 Hz minimum

Output Amplitude

- $V_{HIGH} = V_{SUPPLY} - 0.7$ Volts
- $V_{LOW} = 0$ Volts

Duty Signal

50% ± 15%

Connections

Terminal block, 1/2" female NPT conduit entrance

Enclosure Rating

TYPE 4X

cCSAus Certification

- Class I, Div. I, Groups C, D
- Class II, Div. I, Groups E, F, G
- Class III

ATEX Certification

II 2 G, Ex d IIB+H₂ T5 Gb,
Ta = -40°C to +60°C

IECEx Certification

Ex d IIB+H₂ T5 Gb
Ta = -40°C to +60°C

Temperature Ratings

- -20 to 60°C (-4 to 140°F)
- 85°C (185°F) maximum fluid temperature

PART NUMBER:

HUB- EX2-S1-H1

EX Certified Sensor

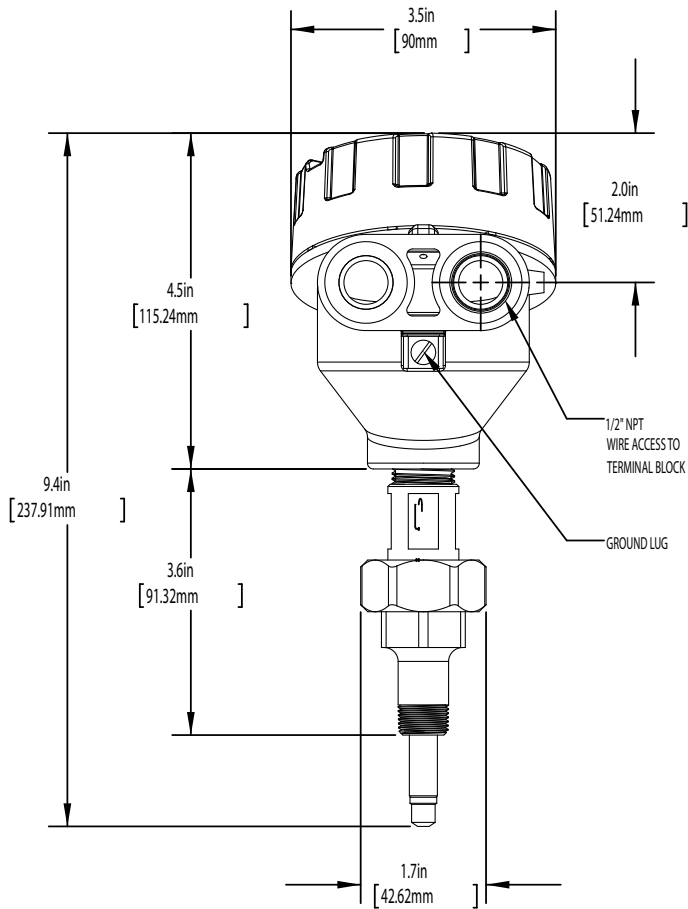
40 = HUB-40EX sensor with cCSAus hazardous area certification

41 = HUB-41EX sensor with ATEX and IECEx hazardous area certifications

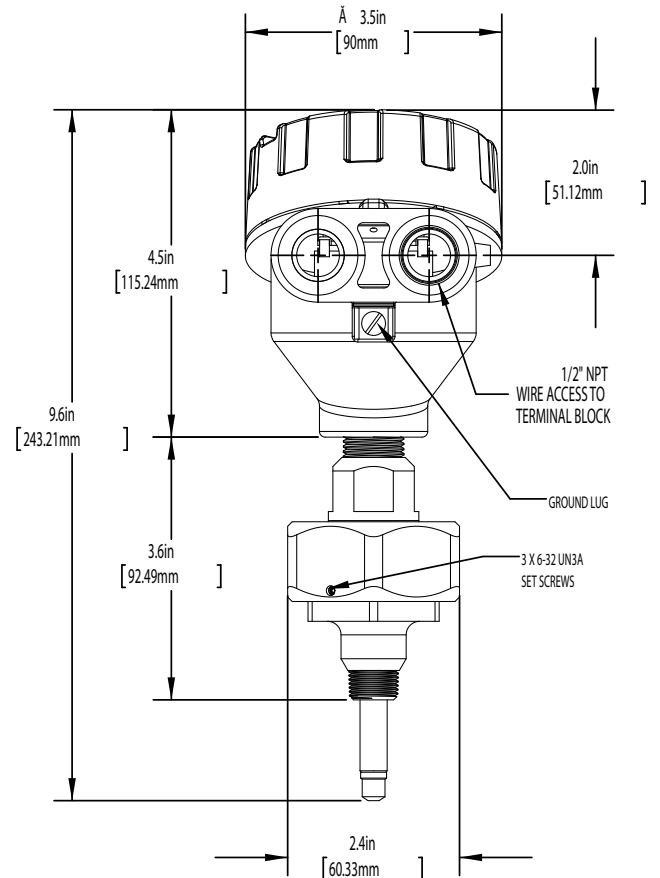
HUB-4xEX - HAZARDOUS AREA RATED FLOW SENSOR

Ideal for any industry or flow measurement application where an explosion-proof sensor is required, such as in chemical injection, hydraulic fracturing, or industrial paint spray booths.

HUB-40EX DIMENSIONS (cCSAus)



HUB-41EX DIMENSIONS (ATEX & IECEx)



MJ Systems, LLC
 Authorized AW Lake Representatives
 502 N 8th St • La Porte, TX 77571
 Off (281) 842-7600 • Fax (281) 842-7601
 www.mjsusa.com • sales@mjsusa.com

Products may be subject to change without notice - Contact factory for the most up-to-date product information.

